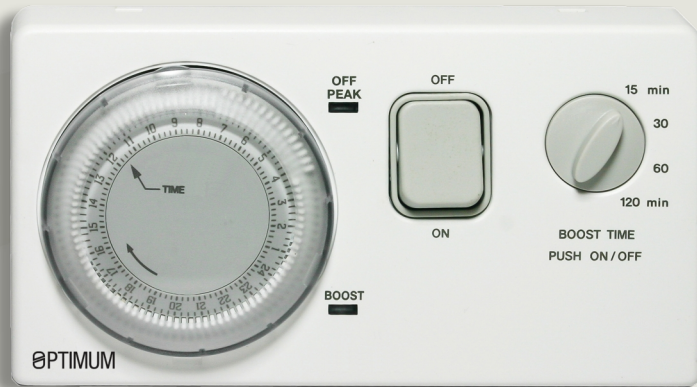




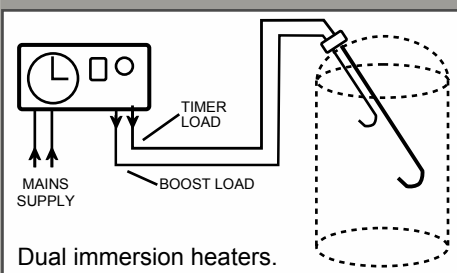
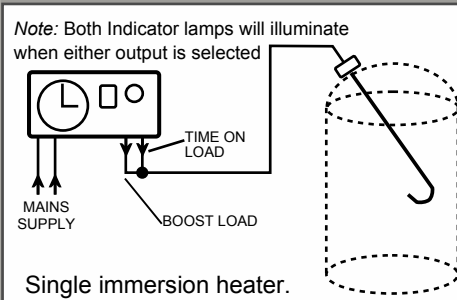
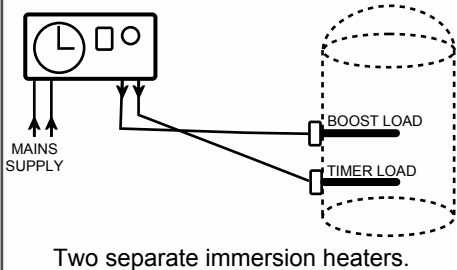
## PRODUCT DATA SHEET

Code: **ECOsave** Multi Tariff Time Switch with Boost Control



### APPLICATIONS

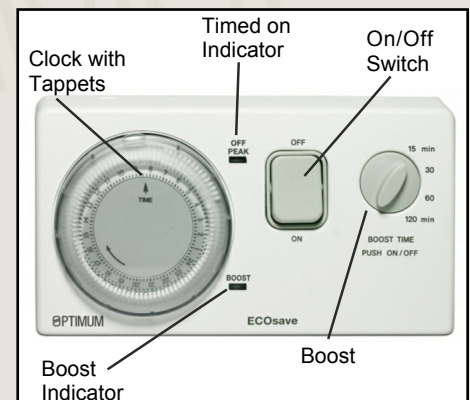
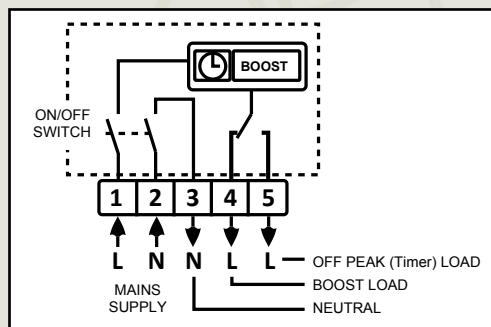
This timer controls the use of cheap rate electricity during the night to heat the water in your tank for the following applications:



The Optimum Ecosave is a mechanical 24 hour multi tariff timeswitch used to control 3KW electric immersion heater elements for timing of water heating during low tariff electricity supply periods, and a boost function selectable for 15, 30, 60 or 120 minutes for peak tariff periods. Suitable for use in dry rooms only! Do not install in the vicinity of devices which generate inductive discharges (motors, transformers, etc.)!

### Specification:

- Voltage: 220-240V AC 50Hz
- Max Ambient Temperature: 40 C
- Max Current: 16A resistive / 2A inductive
- Simple programming
- ON / OFF override
- 15 minutes switching intervals
- Use with single, dual or two immersion heaters.
- Surface mounted device which is mounted on walls.
- Boost: adjustable between 15 and 120 mins
- Fitting: Surface mounting
- Dims (mm): 86H x 155W x 55D
- Protection Category: IP20
- Complies with European Norm EN 60730-1: 2011 Automatic Electrical Controls for Household and similar use, and European Directives: LVD; EMC; RoHS



OPTIMUM



TFC GROUP LLP, TOWER HOUSE, VALE RISE, TONBRIDGE, KENT TN9 1TB

Tel: 01732 351680 [www.tfc-group.co.uk](http://www.tfc-group.co.uk)

Prepared for TFC Group LLP By: M. Edmonston

Issue 1: Sept 2018

Page 1 of 1