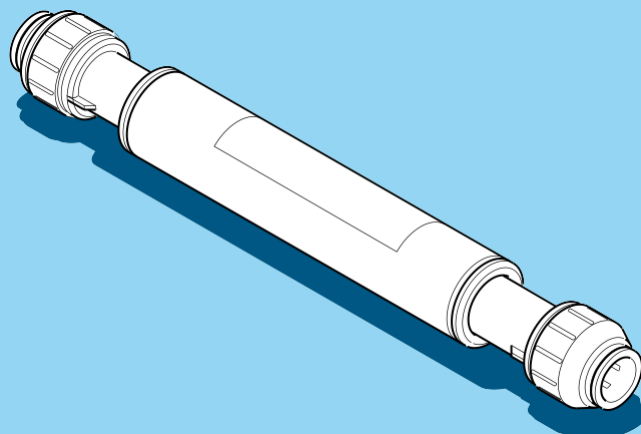


MODEL:
CalCombi

CalCombi with push fit fittings



 **Warning !**

Before carrying out any installation, check contents of product are correct.

CalCombi

What CalCombi does...

In simple terms, the water normally contains both positive and negative ions. These ions attract to form limescale. CalCombi induces single polarity, making all ions negative and therefore repelling, preventing the build up of limescale.

How CalCombi works

This dual purpose unit can be fitted on a central heating system to prevent corrosion or on cold water mains to prevent limescale forming, which is controlled by the unique internal working design of:

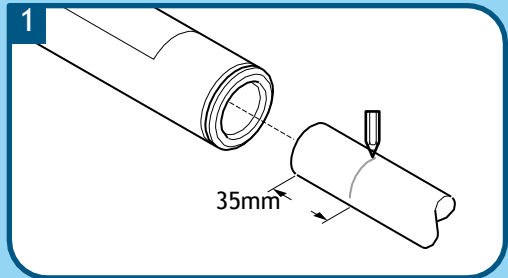
1. Magnetic bar, which induces a single polarity into the water where the calcium and magnesium particles in the water also take on this same polarity, therefore as like poles repel, prevents these particles crystallising together to form a hard limescale.
2. Zinc plates, which create the same reaction as the magnetic bar when water passes over the zinc plates and inner copper body of the **CalCombi** unit, also preventing formation of hard limescale using electrolytic technology.
3. Zinc plates also gradually disperse particles of zinc into the water supply, which prevents corrosion by combating all the air and oxygen particles in the water system.
4. Product is best installed either 1 metre from the appliance it is protecting on the cold feed or alternatively, on the cold water incoming water supply after the stop cock.

Installation

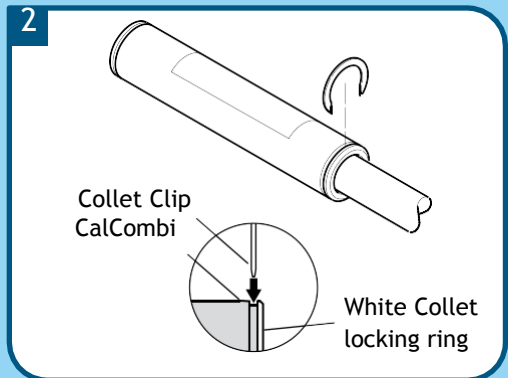
Turn off the water supply at the mains stopcock.

For 22mm Pipework

1 Measure and mark a line on pipe approx. 35mm from the end. Insert pipe into CalCombi unit up to pencil mark.



2 Insert collet clip between calcombi unit and white collet locking ring. Carry out procedure for both ends.



Installation

Turn off the water supply at the mains stopcock.

For 15mm Pipework

1 Push Stem fitting into both ends of CalCombi magnetic & electrolytic scale inhibitor.

2 Measure and mark a line on pipe approx. 35mm from the end.

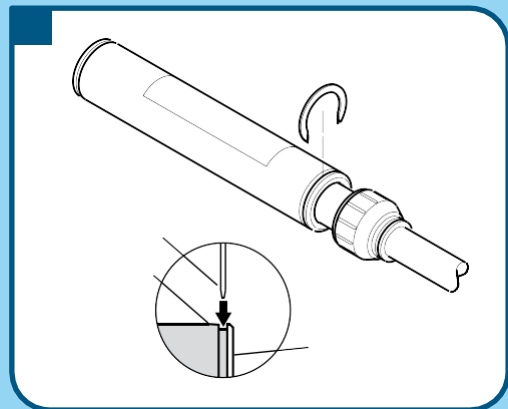
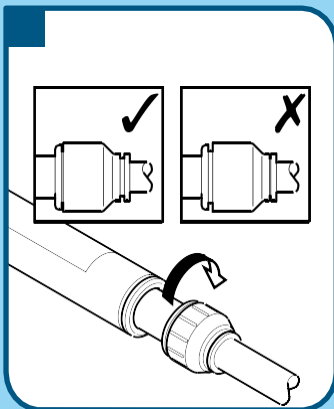
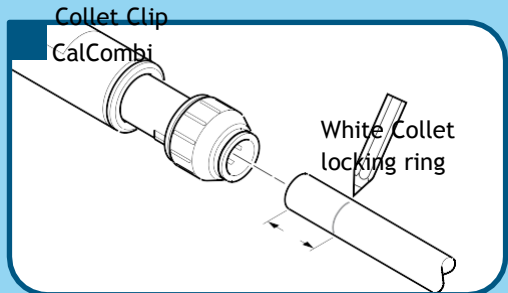
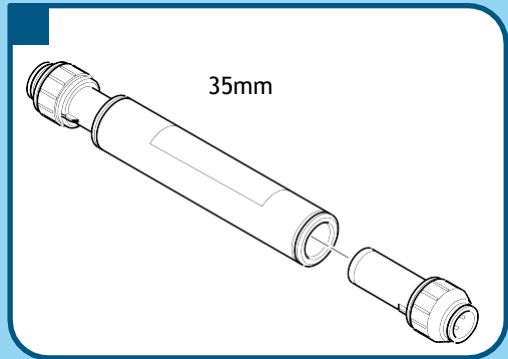
Insert pipe into stem adaptor up to the marked line. Carry out procedure for both ends.

3 Twist the stem adaptor fitting clockwise to lock the stem adaptor. Carry out procedure for both ends.

4 Insert collet clip between the CalCombi unit and white collet locking ring. Carry out procedure for both ends.

3

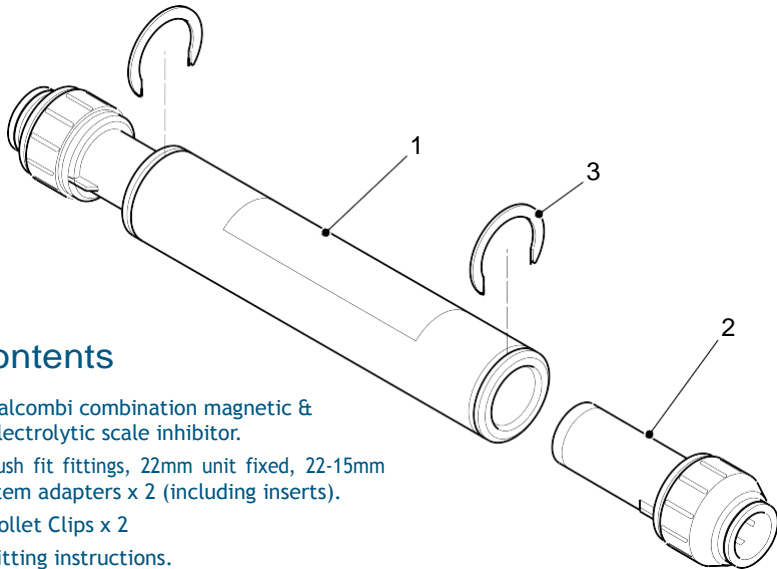
2



Specification



Length:	22mm unit - 160mm.
	15mm unit - 240mm.
Diameter:	32mm.
Colour/material:	Nickel plated copper.
Connections:	22 - 15mm push fit stem adaptors
Maximum working pressure:	10 Bar (140psi).
Tested to:	20 Bar (280psi).
Maximum temperature:	70°C.
Maximum flow rate:	1.08ltr/sec (14gpm).



Contents

- 1 Calcombi combination magnetic & electrolytic scale inhibitor.
- 2 Push fit fittings, 22mm unit fixed, 22-15mm stem adaptors x 2 (including inserts).
- 3 Collet Clips x 2
 - Fitting instructions.
 - Lifetime Guarantee registration card.

Guarantee

Calmag guarantee this product from manufacturing defects for a Lifetime period. This means that if the product is found to be defective we promise to offer you a modification to solve the problem or a full refund via the outlet where the unit was purchased.

The guarantee is valid from the date of purchase, provided all components been fitted as per our written instructions and that the guarantee card is completed and returned to Calmag within 28 days of purchase along with proof of purchase for the guarantee to be valid.

The guarantee is only valid for the unit purchased and does not extend to any other product which it may be connected to or used with.

Calmag, Riverview Buildings, Bradford Road, Riddlesden, Keighley, West Yorkshire BD20 5JH

Telephone: 01535 210320

Fax: 01535 210321

E mail: sales@calmagltd.com

Website: www.calmagltd.com



**Calmag, Riverview Buildings,
Bradford Road, Riddlesden,
Keighley, West Yorkshire, BD20 5JH**